

MOTORISED ROAD CASE

MOTORISED LIFT AND TILT

MOTORISED ROAD CASE

Introducing the Ultralift AV Road Case: The Ultimate Screen Transport Solution

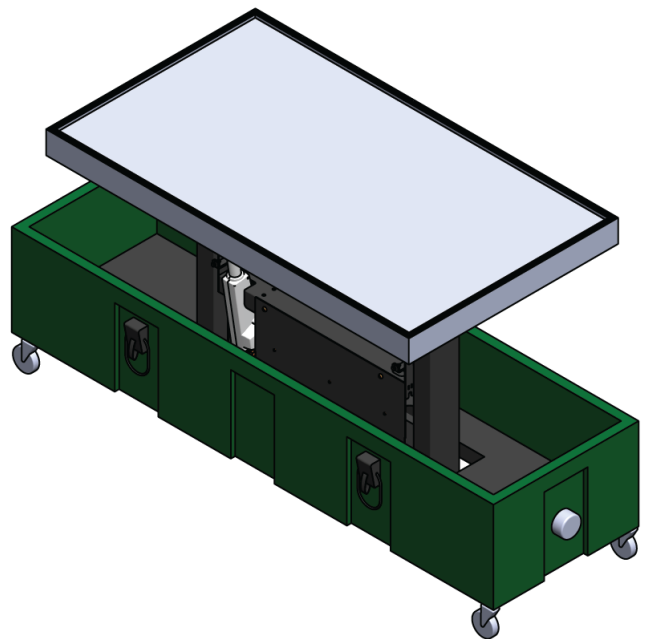
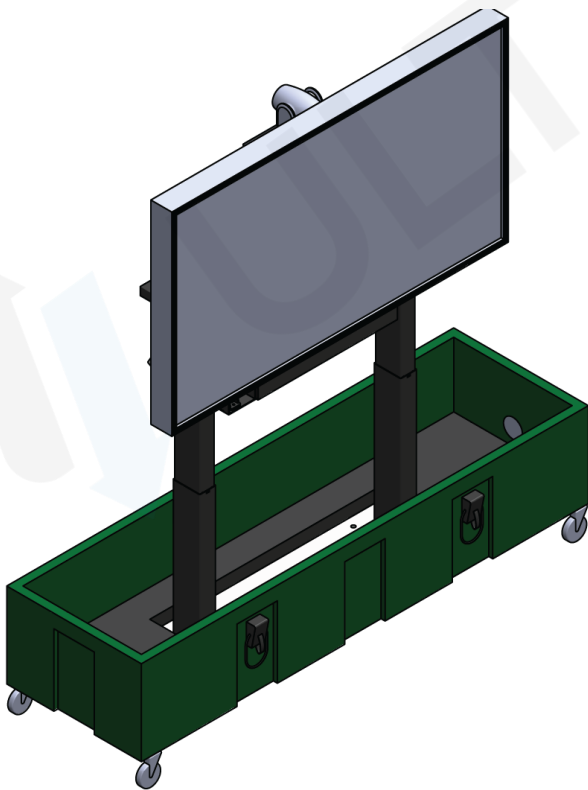
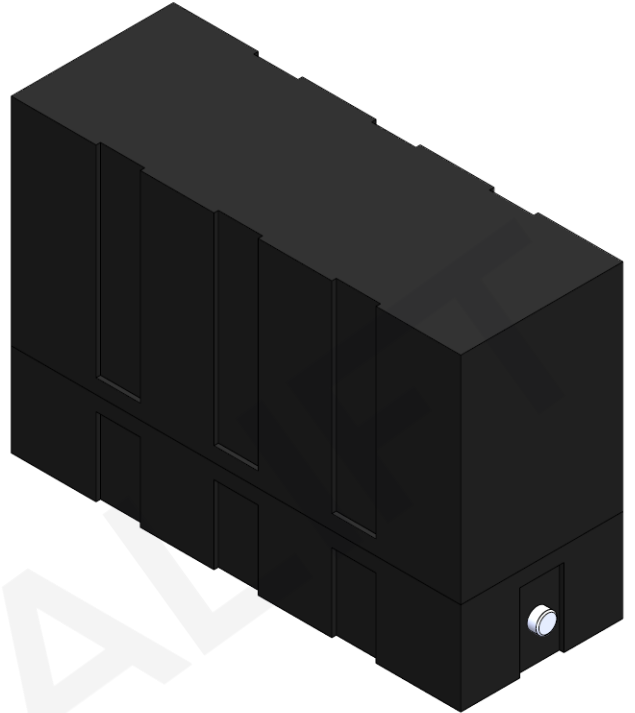
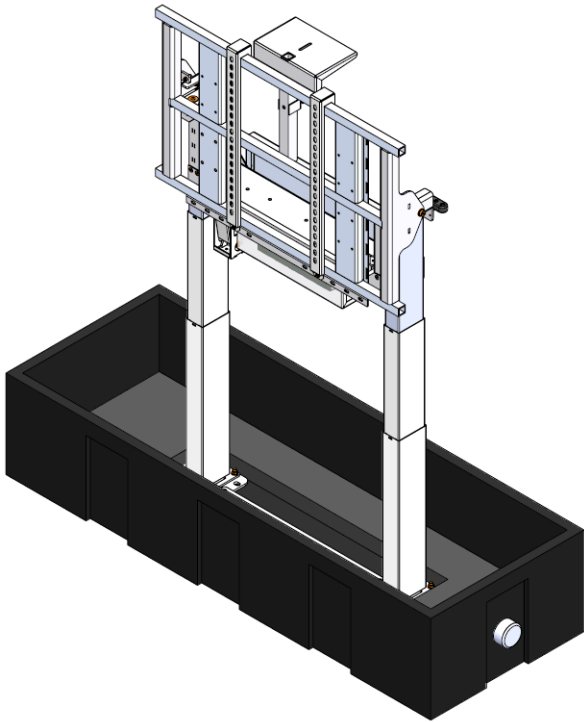
Motorised Road Case is the ultimate solution for securely transporting screens and TVs. Initially designed for the [Australian Defence Force](#), this versatile and robust road case is built to withstand the toughest conditions. Whether planning a [roadshow](#), attending a [tradeshow](#), working at a [construction](#) site, or engaging in [mining](#) and [energy projects](#), the AV Road Case is your reliable companion.

Setting up your screen has never been easier. Equipped with [heavy-duty wheels](#), this road case effortlessly navigates difficult surfaces and terrains. Within 30 seconds, you can have your screen securely positioned and ready to impress.

The AV Road Case features a sturdy mechanical system driven by high-quality actuators, enabling reliable and convenient screen movement. With just a touch of a button, you can effortlessly raise the screen to your [desired height](#), reaching a maximum of [1.5 meters](#). This mechanism also allows a motorised [tilt](#), allowing you to adjust the screen to [any angle](#), from vertical to a fully flat "table-top" mode.

Whether you're delivering presentations and briefings or engaging in collaborative work settings, the Ultralift AV Road Case enables seamless interaction. Gather around the screen and manoeuvre it through various angles, enhancing discussions and fostering meaningful interactions.

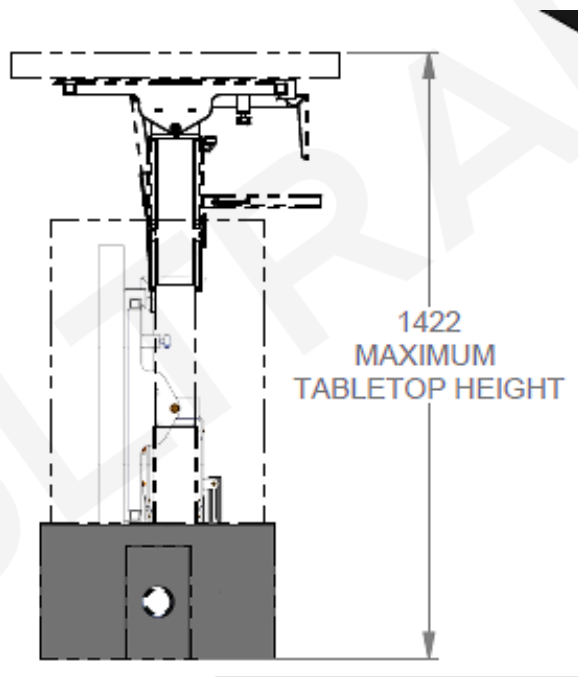
The AV Road Case caters to a wide range of screen sizes, accommodating [40 to 75 inches](#). In addition, the AV Road Case can be equipped with a [pressure valve](#), ensuring optimal protection for your valuable screen during transit. We understand the importance of [customisation](#), so our road case is tailored to your TV size. Choose from [sleek black](#) or [military green](#), complementing your style while safeguarding your equipment.



MODEL	Motorised Road Case (MRC-000)
COLOUR*	BLACK / GREEN
MIN LIFT HEIGHT (BOTTOM OF TV) (mm)	30
MAX LIFT HEIGHT (BOTTOM OF TV) (mm)	995
MIN LOAD WEIGHT (KG)	2
MAX LOAD WEIGHT (KG)	90
OPERATING VOLTAGE (V)	240
MAX POWER DRAW (W)	450
DRIVE TYPE	ACTUATOR
DRIVE QTY	2
DRIVE MODEL	DL-12
DRIVE FORCE (N)	600
DRIVE STROKE (mm)	999
CONTROL TYPE	LINAK
CONTROL CHANNELS	2
UNIT WEIGHT (Approximate)(Kg)	65

*The Road Case will be provided in Black or Green.

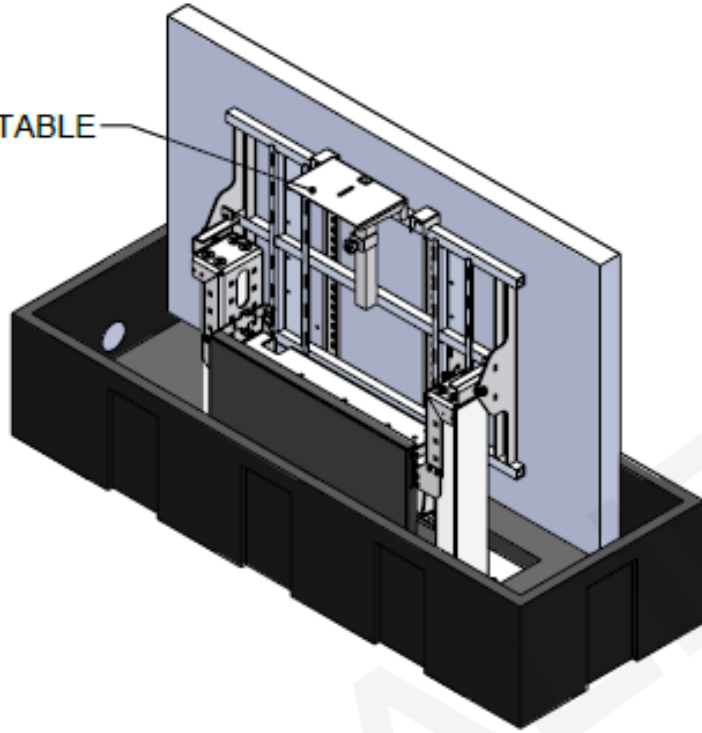
- ❖ Road Case is included.
- ❖ Audio Visual equipment is excluded.



- ❖ The product will be shipped fully assembled.
- ❖ The product runs on 240 v and 50-60 Hz.
- ❖ Tv hanging rails and hardware are included.
- ❖ Pressure valve is available as per request.

PRODUCT DIAGRAM

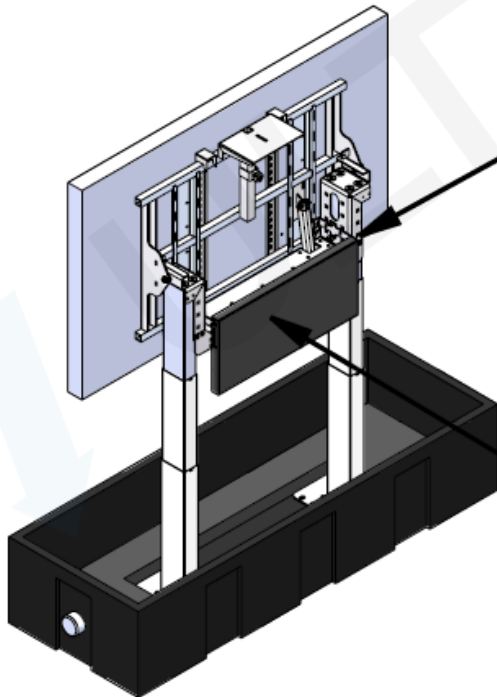
CAMERA TRAY
HEIGHT ADJUSTABLE



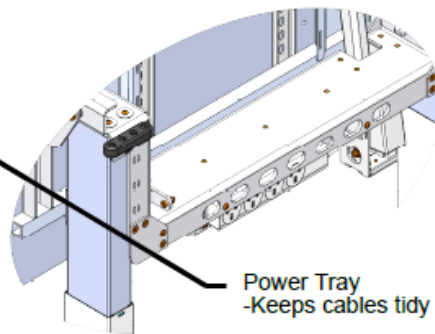
Collapsible Laptop Tray
- Locked upright position
- Folded away when not in use



VIEW A



Power Tray
- Keeps cables tidy



WARRANTY AND RETURNS

At Ultralift Australia Pty Ltd, we take pride in our products being of the highest quality. Because of this, we offer the following programs to ensure your satisfaction.

ULTRALIFT 3-YEAR WARRANTY

1. The product is warranted for 36 months from the invoice date. Subject to the conditions of this warranty, Ultralift Australia or an authorised installer will perform necessary service on the product without charge for parts or labour if, in the opinion of Ultralift Australia, the product is found to be faulty within the warranty period.
2. This warranty only applies to Ultralift Australia products purchased from Ultralift Australia or an authorised dealer.
3. This warranty only applies if the product has been installed and used by the manufacturer's recommendations (as noted in the instruction manual) under regular use and reasonable care (in the opinion of Ultralift Australia). The warranty covers regular domestic, commercial or educational use only. It does not cover damage, malfunction, neglect, the build-up of dirt or dust, abuse, maladjustment of customer controls, mains supply problems, thunderstorm activity, infestation by insects or vermin, tampering or repair by unauthorised persons (including unauthorised alterations), exposure to abnormally corrosive conditions or any foreign object or matter having entered the product.
4. If warranty service is required, you should:
 - Contact your installer for advice on how to rectify the issue.
 - If this does not solve the problem, please call Ultralift Australia on +61 3 9459 0873 for advice.
 - If the device requires service, return the product to Ultralift Australia for repair.
 - Please Note: You must arrange freight and insurance to and from the device's location.
 - Please ensure that items returned are packed appropriately.
5. The warranties hereby conferred do not extend to, and exclude, any costs associated with the installation, de-installation, or re-installation of a product. This includes expenses related to the mounting, de-mounting, or re-mounting of any screen (and any other ancillary devices), delivery, handling, freighting, transportation or insurance of the product or any part thereof or replacement to such installation, de-installation, reinstallation, or transit.